



Self-contained and modular structured illumination microscope

ROBIN VAN DEN EYNDE,¹  WIM VANDENBERG,¹  SIEWERT HUGELIER,¹ ARNO BOUWENS,^{2,3} JOHAN HOFKENS,^{2,4} MARCEL MÜLLER,^{1,5,6}  AND PETER DEDECKER^{1,7} 

¹Lab for Nanobiology, Department of Chemistry, KU Leuven, Belgium

²Molecular Imaging and Photonics, Department of Chemistry, KU Leuven, Belgium

³Perseus Biomics BV, Tienen, Belgium

⁴Max Planck Institute for Polymer Research, Mainz, Germany

⁵Present address: Faculty of Physics, Bielefeld University, Germany

⁶muellerphysics@gmail.com

⁷peter.dedecker@kuleuven.be

Abstract: We present a modular implementation of structured illumination microscopy (SIM) that is fast, largely self-contained and that can be added onto existing fluorescence microscopes. Our strategy, which we call HIT-SIM, can theoretically deliver well over 50 super-resolved images per second and is readily compatible with existing acquisition software packages. We provide a full technical package consisting of schematics, a list of components and an alignment scheme that provides detailed specifications and assembly instructions. We illustrate the performance of the instrument by imaging optically large samples containing sequence-specifically stained DNA fragments.

© 2021 Optical Society of America under the terms of the [OSA Open Access Publishing Agreement](#)

1. Introduction

Fluorescence microscopy is a proven tool to study molecules, organelles, cells and whole organisms within their native context. Super-resolution (SR) techniques elaborate on this by providing spatial resolutions that extend beyond the diffraction limit. A range of different SR methodologies are available, largely differing in their achievable spatial and temporal resolutions. Structured illumination microscopy (SIM) achieves an up to twofold increase in spatial resolution by acquiring multiple fluorescence images using different illumination patterns, followed by computational fusion of these images into a single SR image. Two-dimensional SIM requires nine fluorescence images per reconstruction, allowing it to deliver fast imaging that is theoretically compatible with any type of labeling [1]. Commercial SIM systems require between 60 ms and 1 second to acquire a single reconstructed image, while custom-built instruments exist that can deliver a full image within 20 ms [2–4]. Recent work has also shown that this can be extended to simultaneous three-dimensional acquisitions [5,6]. ‘Rolling SIM’ has been proposed as a way to achieve even faster imaging, though this does not provide an increase in temporal resolution [7]. Nevertheless, the speed and label-compatibility of SIM are major advantages over slower SR techniques such as PALM/STORM/SOFI [8–11], though the latter techniques may offer considerably higher spatial resolutions. These advantages make SIM especially suited to investigations that require information on systems that are highly dynamic [12–14].

One area where SIM holds high promise is high-throughput imaging. A range of high-throughput and high-content imaging systems are readily available commercially, though high-throughput imaging at the SR level remains challenging despite multiple advances [15–20]. The fast imaging rate of SIM renders it exceptionally promising in this regard [21], though the main challenges are in the high demands placed on the instrument and on the data processing pipeline. In principle, the technique requires only standard wide-field observation and illumination of the

sample using periodic patterns at different orientations and phases. However, achieving these patterns with a sufficient quality is non-trivial and requires considerable expertise in the design and alignment of optical instruments. The acquired images must also be carefully processed to deliver a reliable super-resolved image. Fortunately, well-performing open source software for SIM reconstruction is available through fairSIM [22], though identifying hardware that achieves a high performance and can be integrated in more complex measurement schemes is more challenging [3,4,23,24].

In this contribution we describe a novel SIM instrument that is specifically tailored to robust and fast imaging, which we call 'HIT-SIM' (HIGH-Throughput Structured Illumination Microscopy). The instrument delivers fast and high-quality SIM imaging and possesses several features that render it attractive for automated scanning of large, optically thin samples. We provide schematics, software, and assembly and operating instructions in [Supplement 1](#), and have devised the instrument so that key components (e.g., camera and light source) can be exchanged with modest effort. The hardware design is based on commercial components apart from a small number of custom elements that pose no particular manufacturing difficulties. Furthermore, the electronics of the system have been developed in such a way that the SIM functionality operates independently from the image acquisition software. We showcase our HIT-SIM as a fast setup to identify bacterial species based on labeled DNA, using a methodology known as 'Fluorocode' [25,26].

2. Methods

2.1. Bead measurements

200 nm tetraspeck beads (Thermofisher - T7280) were used to verify the performance of the instrument. 10 μl of the beads was deposited in a 1:4 dilution (in MilliQ) on 35 mm glass-bottom microdishes (MatTek). The dish was allowed to dry overnight at 4°C in an inverted orientation. The dish was imaged using SIM pattern spacings tuned to achieve an approximately 1.75 \times resolution improvement (pattern spacing of 268 nm in the sample plane at 488 nm excitation and 308 nm at 561 nm excitation), a 488 nm 200 mW Oxxius laser with a 50 ms exposure setting, or a 561 nm 300 mW Oxxius laser with a 50 ms exposure setting on a PCO edge 4.2 camera. SIM images were reconstructed using fairSIM with the following settings: background subtraction 100 counts, which corrects for the camera average dark frame offset of 100. OTF estimation with NA 1.2 (matching the objective) and emission lambda 525 nm / 600 nm (matching the emission maxima of the dyes imaged), as well as $a=0.3$ (default value), an empirically chosen dampening factor compensating for potential slight aberrations in the setup. The default 'exponential' mode was used for OTF approximation. For reconstruction, a Wiener parameter of 0.02 (which corresponds to a high SNR in the raw data, given by the high brightness of the beads), an apodization cutoff of 1.9 \times (slightly above the expected resolution enhancement), no modification of the apodization ($bend=1$), and no OTF attenuation (as no out of focus background is to be expected when imaging a bead layer) was used. For more details on these reconstruction parameters, please see the fairSIM quickstart guide and [27].

2.2. Fluorocode measurements

Bacteriophage lambda DNA was enzymatically labeled at 5'-TCGA-3' sites using M.TaqI methyltransferase with a rhodamine B functionalized cysteine AdoMet analog as described in Ref. [26]. The slide was imaged using a SIM pattern tuned to approximately 1.75 \times resolution improvement, with a 561 nm 300 mW Oxxius laser and 200 ms exposure setting on a PCO edge 4.2 camera. The power was set to 300 mW, resulting in averaged and peak illumination intensities of about 60 W/cm² and 110 W/cm² for a single SIM acquisition. The following fairSIM settings were used for reconstruction. Import: background subtraction 100, parameter estimation: OTF

NA 1.2, λ 600, $a=0.3$, exponential approximation, run parameter fit w/o further changes, reconstruction: Wiener 0.05, APO cut 2, APO bend 0.9, OTF attenuation off.

3. Results and discussion

3.1. Optical system

The design of the HIT-SIM microscope is based on the two-beam fastSIM microscope reported in Ref. [2]. A schematic representation of the system is shown in Fig. 1. The system consists of a conventional wide-field microscope that can generate periodic illumination patterns using a spatial light modulator (SLM). The SLM and other alignment-sensitive SIM-specific illumination components are combined into a single mechanically-rigid 'SIM module' (Fig. 1 and Fig. 2).

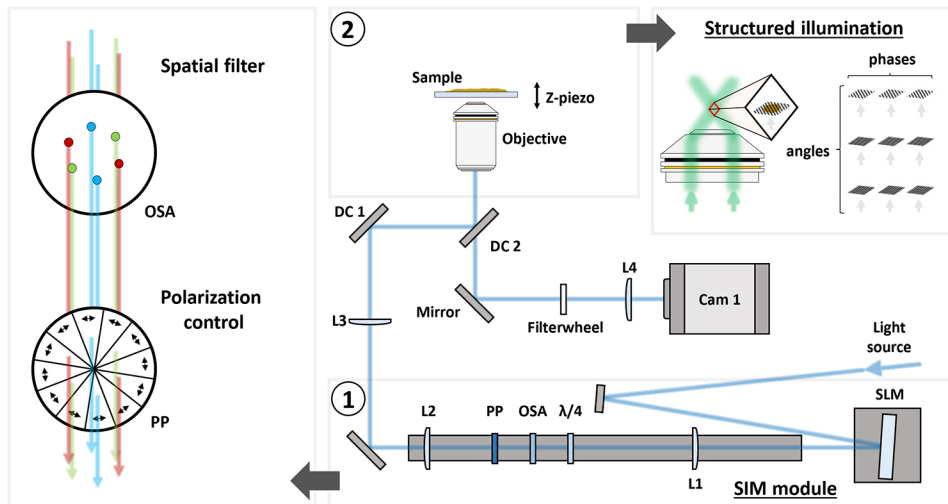


Fig. 1. Schematic representation of the HIT-SIM. With ① the SIM module, ② a representation of the structured illumination. L:lens, OSA:Order Selection Aperture, $\lambda/4$: Quarter waveplate, PP:Pizza Polarizer, DC:Dichroic, SLM:Spatial Light Modulator.

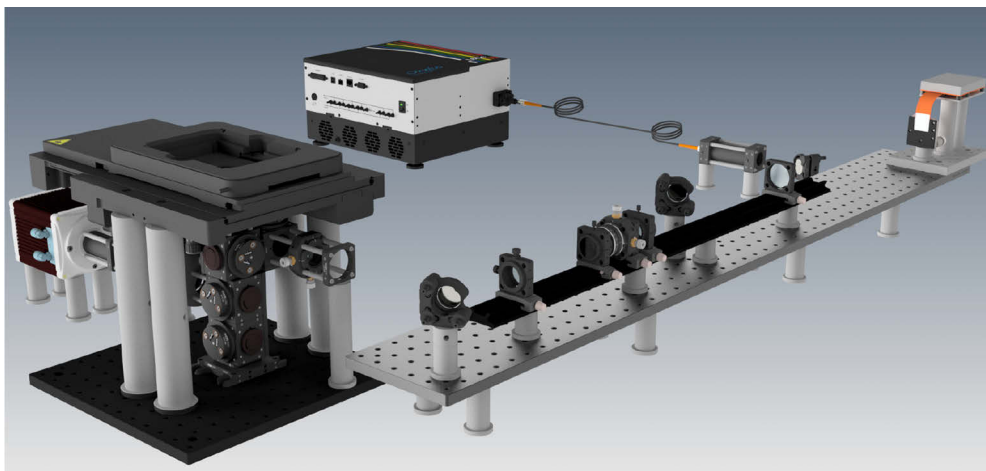


Fig. 2. CAD rendering of the HIT-SIM system.

Light from the laser source is directed onto the SLM, which acts as a configurable diffraction grating that can switch between patterns in less than 500 μs . These SLM patterns are chosen such that they yield two first order diffraction beams that produce a sinusoidal illumination profile at the sample. Stray diffraction orders, which arise due to the binary nature of the SLM, are excluded from the excitation path by focusing the light via lens L1 onto a metal disk with precisely drilled apertures, the order selection aperture (OSA). The choice of the focal length of L1 depends on the pixel size of the SLM, the desired range of resolution enhancements and wavelengths, and the size constraints of the downstream optics, as is discussed in [Supplement 1](#) and further supplementary documents. We also require precise control of the excitation polarization [28,29], which is accomplished using a quarter waveplate (QWP, $\lambda/4$) and segmented ‘pizza’ polarizer (PP). The ratio of the focal lengths of lenses L2 and L3 are chosen to match the pattern with the desired resolution for the objective in use.

The SLM pattern generation was carried out with a multi-color search algorithm [3], which itself is based on previous work for SLM-based SIM [2,29]. The key insight is that the SIM pattern for a given resolution enhancement depends on the wavelength of the excitation light, but the distance of the spots from the optical axis (its Fourier image) does not. Since the SIM pattern can be rotated, the algorithm can find solutions where a single selection aperture with 6 apertures works for all wavelengths. This configuration is calculated to block leakage from unwanted contributions across all used wavelengths, while providing a constant resolution enhancement. In principle, one could devise an algorithm that allows multiple resolution enhancements using a single mask with more than 6 apertures, by likewise ensuring that none of the patterns in the final solution cause spurious diffractions not blocked by the mask. However, we currently do not implement such a more advanced search algorithm.

In practice, one may want to define several sets of SLM patterns and OSA configurations that provide different spacings of the illumination pattern, allowing a trade-off between the achievable resolution increase, z -sectioning capability, and sensitivity to aberrations and noise. On the instrument, changing to a different resolution enhancement then only requires an exchange of the OSA and the selection of a different SLM pattern set in software.

The excitation light is reflected into the objective using two dichroic mirrors, DC1 and DC2. The use of a single dichroic mirror would lead to a degradation of the SIM pattern since the s and p polarizations are subject to different phase shifts upon reflection from a typical commercial dichroic. This can be corrected by reflecting the light from two identical dichroic mirrors positioned at orthogonal angles [24] (DC1 and DC2; [Supplement 1](#)). The collected emission light is transmitted through DC2 and focused on the camera using lens L4, which was chosen to yield a ≈ 100 nm pixelsize. The field of view in our implementation is approximately 90×90 μm when combined with a $60\times$ water immersion objective.

The instrument can acquire a full SIM image stack in well under 50 ms. Assuming an exposure time of 1 ms, SLM changeover time of ≈ 1.9 ms and a camera readout time of ≈ 2.5 ms, the HIT-SIM can grant an imaging speed of 25 reconstructed SIM images per second, though in practical experiments the acquisition speed is usually limited by the available laser power, noise levels, and the concentration and brightness of the fluorophores in the sample.

3.2. Instrument control

Operating the instrument requires multiple levels of control and analysis to (i) synchronize the various components during the acquisition of a SIM image, (ii) perform imaging experiments involving automated acquisitions at different points on the sample, and (iii) reconstruct the SIM images from the raw fluorescence images.

At the lowest level, the SIM acquisition requires sub-millisecond synchronization of the excitation light sources, SLM, and camera. Such precise timing requirements are difficult or impossible to achieve using software running on general-purpose operating systems, and are

also not required in the vast majority of wide-field based imaging experiments. As a result, there are usually no provisions for such synchronization in image acquisition software, nor are there off-the-shelf solutions to embed this functionality into existing imaging pipelines. The usual solution is to implement custom logic into a separate microcontroller combined with the development of custom acquisition software to control this device as well as the other required hardware (cameras, light sources). This custom solution is then tied to the particulars of the instrument in question, and often does not contain more advanced functionality such as the automated imaging of larger samples.

While the use of dedicated hardware such as a microcontroller is unavoidable, we reasoned that many of the resulting limitations could be mitigated if the measurement software does not need to be aware that the instrument is performing a SIM measurement. In fact, this distinction comes naturally with SIM, since detection of the fluorescence requires only classical wide-field imaging. For single-color acquisitions, there is no need for the acquisition software to even be aware of the SLM or microcontroller, as long as it is capable of replacing the acquisition of a single fluorescence image with the acquisition of nine consecutive fluorescence images. The microcontroller, in turn, is responsible only for synchronizing the SLM and light source with the camera exposure, but need not be aware of any other hardware, nor does it need to communicate with the acquisition computer. The only requirement is that it can detect when the camera begins exposing, and that it knows that each SIM acquisition will consist of nine fluorescence images in total, where the displayed SLM pattern must be advanced between every camera acquisition.

In practice, a suitable synchronization signal is readily provided by the exposure output that is present on all scientific cameras, and that typically transitions to logic high upon the start of a camera exposure, regardless of how this exposure was initiated. This signal remains high for the full duration of the camera exposure, during which the microcontroller enables the light source and synchronizes its output with the SLM. The microcontroller detects the end of the exposure by monitoring for a transition back to logic low while the image is being read out, activating the next SLM pattern in time for the start of the next acquisition.

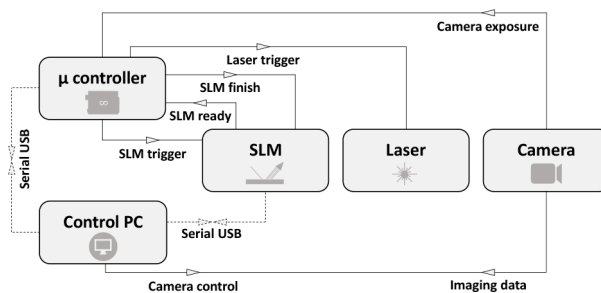


Fig. 3. Representation of the HIT-SIM electronics triggering scheme that allows for a simple exchange of modules. The dotted connections are only required for setting up/configuring the system.

In our implementation (Fig. 3), the microcontroller monitors this signal and assumes that the start of a camera exposure means that a SIM acquisition is being initiated. It will then automatically illuminate the sample with the first SIM pattern, managing the laser illumination and SLM functionality until the exposure signal transitions back to logic low. If the camera initiates another exposure within 500 ms, the microcontroller assumes that we wish to measure the next SIM pattern, which it will display for the duration of this subsequent exposure. This procedure loops over the full set of nine SLM patterns, resetting back to the beginning of the sequence after nine consecutive exposures have been detected, or at any time when there has been no new exposure within 500 ms of the previous one. The measurement software does not need to

be aware that a SIM measurement is running, and is free to perform fluorescence experiments using the full range of functionality required by the end user. Our strategy is also compatible with multi-color imaging, where the microcontroller must be aware that the different excitation wavelengths will always be acquired in the same sequence (e.g., nine fluorescence images with green excitation, followed by nine fluorescence images with red excitation). A more detailed description of this strategy is given in [Supplement 1](#).

While any camera control software can be used in practice, we decided to use the Micro-Manager software [30] for the implementation of the system detailed here. In addition to its openness and broad range of device support, Micro-Manager also provides direct integration of the SIM reconstruction software available through the fairSIM project [22]. Thanks to our design, no changes need to be made to the software to enable the acquisition of SIM images, and the full Micro-Manager functionality is readily available.

3.3. Imaging performance of the HIT-SIM instrument

We verified the performance of our system by dual color imaging of fluorescent beads. Figure 4 shows 200 nm beads imaged with 488 nm and 561 nm excitation light using an OSA and SLM pattern set designed for a 1.75 \times improvement in resolution (for the 488 and 561 nm lasers respectively, an expected resolution of 116.2 and 133.6 nm). We selected this bead size because they should be readily resolvable in the SIM reconstruction but not in conventional wide-field imaging (approximated here by summing the nine raw fluorescence images). The Fourier transforms of these SIM images display the typical pattern intrinsic to SIM (Figure S6 in [Supplement 1](#)), supporting the enhanced spatial information. As expected, the achieved resolution of the 561 nm illuminated beads is a factor 561/488 worse than that of the 488 nm illuminated beads due to the longer wavelength of the light.

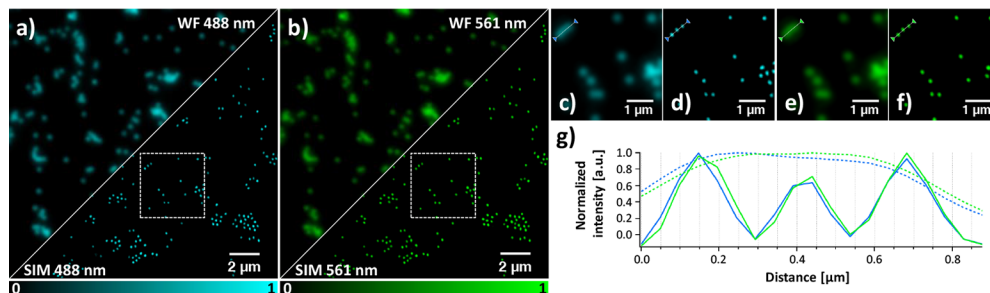


Fig. 4. 200 nm tetraspeck beads imaged with HIT-SIM in two colors. (a) wide-field (above the cut) versus SIM (below the cut) with 488 nm excitation. (b) wide-field (above the cut) versus SIM (below the cut) with 561 nm excitation. (c) Wide-field and (d) SIM of the inset in (a), 488 nm excitation. (e) Wide-field and (f) SIM of the inset in (b), 561 nm excitation. (g) Lineplot of the region marked in (c), (d), (e) and (f), with wide-field in dotted lines and SIM in full lines (488 and 561 nm excitation in blue and green respectively). This dataset was obtained using the 1.75 \times enhancement settings.

We found that our instrument can reach imaging speeds up to 30.43 mm²/hour. The majority of this time is in fact spent waiting for the sample stage position to stabilize after a move command (750 ms per field-of-view; Figure S7 in [Supplement 1](#)). The overall imaging duration can be subdivided into the actual image acquisition (13.74%), active XYZ stage movement (18.90%), and waiting for stage stabilization (67.36%). These results suggest that a more performant choice of stage could greatly speed up these acquisitions.

As a final validation we applied the HIT-SIM instrument to the automated scanning of large samples, exemplified here by a sample loaded with DNA fragments that were sequence-specifically

labeled using the ‘Fluorocode’ methodology [25,26] (Fig. 5). In this approach, large genomic DNA fragments are extracted from a sample and labeled using DNA methyltransferases and modified cofactors. The distribution of the fluorophores along a particular DNA fragment thus acts as a ‘barcode’ that could be used to identify the fragment or to aid in the assembly of DNA sequencing data. Since the distribution of the labels on a particular DNA fragment is entirely determined by its sequence, the achievable success of these methods depends on the spatial resolution with which the fluorophores can be positioned along the fragment, as well as the number of fragments that can be read out [26].

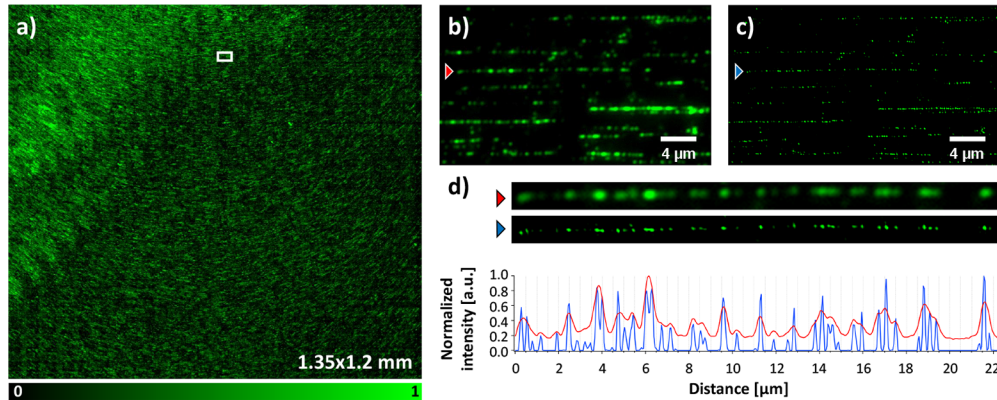


Fig. 5. Fluorocode imaging of labeled bacteriophage lambda DNA, stretched on a coated coverslip, with HIT-SIM. (a) Stitched wide-field image (displayed 1.35×1.2 mm), with an inset magnified in (b) and (c). (b) Wide-field and (c) reconstructed SIM with respectively red and blue arrows indicating a labeled DNA sequence. A zoom of the DNA sequence from (b) and (c) accompanied by a line plot (respectively red and blue) are given in (d). This imaging sequence was obtained using the $1.75\times$ resolution enhancement OSA and 561 nm laser.

We reasoned that the combination of a high required spatial resolution and large sample area were well suited to the fast and automated imaging of our instrument, taking advantage also from the fact that our software design allows direct usage of the high-content imaging support in Micro-Manager. We upgraded our measurement using automatic focusing by interpolation of the focus position between manually-focused reference positions on the sample, though our SIM module is also compatible with solutions for active focus control based on the reflection of infrared light. We imaged a sample consisting of bacteriophage lambda DNA labeled at 5'-TCGA-3' sites with a rhodamine B functionalized cysteine AdoMet analog, acquiring an area of 1.59×1.5 mm with a $1.75\times$ improvement in spatial resolution compared to conventional imaging. This enabled us to create a fully stitched image (of which 1.35×1.2 mm is shown in Fig. 5) using in-house software, showing the strong improvement in information made possible by using our instrument.

4. Conclusion

The HIT-SIM instrument is a robust and fully documented implementation for fast SIM imaging, designed to function as a self-contained module both in optical layout and in instrument control. This design choice provides compatibility with a wide range of components, requiring only an exposure output from the camera and trigger input to the light source, and can work with virtually any image acquisition software. The optical performance of our instrument was validated by both measurement of samples consisting of fluorescent beads and samples consisting of sequence-specific labeled DNA. The use of a fast switching SLM can enable the imaging of fast

dynamic processes and/or the imaging of extended sample regions. We expect that our system can considerably accelerate the applications of SIM in high-throughput or high-content settings.

Funding. Fonds Wetenschappelijk Onderzoek (G090819N, G0B8817N, G0C1821N); European Research Council (ERC PoC 768826 Metamapper, ERC StG 714688 NanoCellActivity); KU Leuven (C14/17/111); Vlaamse Overheid (CASAS2, Meth/15/04); European Commission (Horizons 686271 ADGut, Marie Skłodowska-Curie grant No. 752080).

Acknowledgements. The authors would like to thank Viola Monkemoller for assistance with the measurements and data analysis, and Laurens D’Huys for assistance with the Fluorocode sample. R.V. and S.H. thank the Research Foundation Flanders for a doctoral and postdoctoral fellowship, respectively.

Disclosures. The authors declare no conflicts of interest.

Data availability. Data underlying the results presented in this paper are not publicly available at this time but may be obtained from the authors upon reasonable request.

Supplemental document. See [Supplement 1](#) for supporting content.

References

1. M. G. Gustafsson, “Surpassing the lateral resolution limit by a factor of two using structured illumination microscopy,” *J. Microsc.* **198**(2), 82–87 (2000).
2. H.-W. Lu-Walther, M. Kielhorn, R. Forster, A. Jost, K. Wicker, and R. Heintzmann, “fastSIM: a practical implementation of fast structured illumination microscopy,” *Methods Appl. Fluoresc.* **3**(1), 014001 (2015).
3. A. Markwirth, M. Lachetta, V. Monkemoller, R. Heintzmann, W. Hubner, T. Huser, and M. Müller, “Video-rate multi-color structured illumination microscopy with simultaneous real-time reconstruction,” *Nat. Commun.* **10**(1), 4315 (2019).
4. A. Sandmeyer, M. Lachetta, H. Sandmeyer, W. Hubner, T. Huser, and M. Müller, “DMD-based super-resolution structured illumination microscopy visualizes live cell dynamics at high speed and low cost,” *BioRxiv* p. <https://doi.org/10.1101/797670>, (2019).
5. S. Abrahamsson, H. Blom, A. Agostinho, D. C. Jans, A. Jost, M. Müller, L. Nilsson, K. Bernhem, T. J. Lambert, R. Heintzmann, and H. Brismar, “Multifocus structured illumination microscopy for fast volumetric super-resolution imaging,” *Biomed. Opt. Express* **8**(9), 4135–4140 (2017).
6. A. Descloux, M. Müller, V. Navikas, A. Markwirth, R. Van den Eynde, T. Lukes, W. Hubner, T. Lasser, A. Radenovic, P. Dedecker, and T. Huser, “High-speed multiplane structured illumination microscopy of living cells using an image-splitting prism,” *Nanophotonics* **9**(1), 143–148 (2019).
7. A. Boualam and C. J. Rowlands, “Method for assessing the spatiotemporal resolution of structured illumination microscopy (SIM),” *Biomed. Opt. Express* **12**(2), 790–801 (2021).
8. E. Betzig, G. H. Patterson, R. Sougrat, O. W. Lindwasser, S. Olenych, J. S. Bonifacino, M. W. Davidson, J. Lippincott-Schwartz, and H. F. Hess, “Imaging intracellular fluorescent proteins at nanometer resolution,” *Science* **313**(5793), 1642–1645 (2006).
9. M. J. Rust, M. Bates, and X. Zhuang, “Sub-diffraction-limit imaging by stochastic optical reconstruction microscopy (STORM),” *Nat. Methods* **3**(10), 793–796 (2006).
10. T. Dertinger, R. Colyer, G. Iyer, S. Weiss, and J. Enderlein, “Fast, background-free, 3D super-resolution optical fluctuation imaging (SOFI),” *Proc. Natl. Acad. Sci. U. S. A.* **106**(52), 22287–22292 (2009).
11. P. Dedecker, G. C. H. Mo, T. Dertinger, and J. Zhang, “Widely accessible method for superresolution fluorescence imaging of living systems,” *Proc. Natl. Acad. Sci. U. S. A.* **109**(27), 10909–10914 (2012).
12. L. Shao, P. Kner, E. H. Rego, and M. G. Gustafsson, “Super-resolution 3D microscopy of live whole cells using structured illumination,” *Nat. Methods* **8**(12), 1044–1046 (2011).
13. A. M. Valm, S. Cohen, W. R. Legant, J. Melunis, U. Hershberg, E. Wait, A. R. Cohen, M. W. Davidson, E. Betzig, and J. Lippincott-Schwartz, “Applying systems-level spectral imaging and analysis to reveal the organelle interactome,” *Nature* **546**(7656), 162–167 (2017).
14. A. Maiser, S. Dillinger, G. Langst, L. Schermelleh, H. Leonhardt, and A. Nemeth, “Super-resolution in situ analysis of active ribosomal DNA chromatin organization in the nucleolus,” *Sci. Rep.* **10**(1), 7462 (2020).
15. J. R. Moffitt, J. Hao, G. Wang, K. H. Chen, H. P. Babcock, and X. Zhuang, “High-throughput single-cell gene-expression profiling with multiplexed error-robust fluorescence in situ hybridization,” *Proc. Natl. Acad. Sci. U. S. A.* **113**(39), 11046–11051 (2016).
16. R. Diekmann, Ø. I. Helle, C. I. Øie, P. McCourt, T. R. Huser, M. Schuttpelz, and B. S. Ahluwalia, “Chip-based wide field-of-view nanoscopy,” *Nat. Photonics* **11**(5), 322–328 (2017).
17. Z. Zhao, B. Xin, L. Li, and Z. L. Huang, “High-power homogeneous illumination for super-resolution localization microscopy with large field-of-view,” *Opt. Express* **25**(12), 13382–13395 (2017).
18. F. Stehr, J. Stein, F. Schueder, P. Schwill, and R. Jungmann, “Flat-top TIRF illumination boosts DNA-PAINT imaging and quantification,” *Nat. Commun.* **10**(1), 1268 (2019).
19. D. Mahecic, D. Gambarotto, K. M. Douglass, D. Fortun, N. Banterle, K. A. Ibrahim, M. Le Guennec, P. Gonczy, V. Hamel, P. Guichard, and S. Manley, “Homogeneous multifocal excitation for high-throughput super-resolution imaging,” *Nat. Methods* **17**(7), 726–733 (2020).

20. L. E. Weiss, Y. Shalev Ezra, S. Goldberg, B. Ferdman, O. Adir, A. Schroeder, O. Alalouf, and Y. Shechtman, "Three-dimensional localization microscopy in live flowing cells," *Nat. Nanotechnol.* **15**(6), 500–506 (2020).
21. R. F. Laine, G. Goodfellow, L. J. Young, J. Travers, D. Carroll, O. Dibben, H. Bright, and C. F. Kaminski, "Structured illumination microscopy combined with machine learning enables the high throughput analysis and classification of virus structure," *eLife* **7**, e40183 (2018).
22. M. Müller, V. Monkemoller, S. Hennig, W. Hubner, and T. Huser, "Open-source image reconstruction of super-resolution structured illumination microscopy data in ImageJ," *Nat. Commun.* **7**(1), 10980 (2016).
23. M. A. Phillips, M. Harkiolaki, D. M. S. Pinto, R. M. Parton, A. Palanca, M. Garcia-Moreno, I. Kounatidis, J. W. Sedat, D. I. Stuart, A. Castello, M. J. Booth, I. Davis, and I. M. Dobbie, "Cryosim: super-resolution 3D structured illumination cryogenic fluorescence microscopy for correlated ultrastructural imaging," *Optica* **7**(7), 802–812 (2020).
24. L. J. Young, F. Strohl, and C. F. Kaminski, "A guide to structured illumination TIRF microscopy at high speed with multiple colors," *J. Visualized Exp.* **111**(111), e53988 (2016).
25. R. K. Neely, P. Dedecker, J.-i. Hotta, G. Urbanaviciute, S. Klimasauskas, and J. Hofkens, "DNA fluorocode: A single molecule, optical map of DNA with nanometre resolution," *Chem. Sci.* **1**(4), 453–460 (2010).
26. A. Bouwens, J. Deen, R. Vitale, L. D'Huys, V. Goyvaerts, A. Descloux, D. Borrenberghs, K. Grussmayer, T. Lukes, R. Camacho, J. Su, C. Ruckebusch, T. Lasser, D. Van De Ville, J. Hofkens, A. Radenovic, and K. P. Frans Janssen, "Identifying microbial species by single-molecule DNA optical mapping and resampling statistics," *NAR: Genomics Bioinf.* **2**(1), lqz007 (2020).
27. C. Karras, M. Smedh, R. Forster, H. Deschout, J. Fernandez-Rodriguez, and R. Heintzmann, "Successful optimization of reconstruction parameters in structured illumination microscopy—a practical guide," *Opt. Commun.* **436**, 69–75 (2019).
28. K. O'Holleran and M. Shaw, "Polarization effects on contrast in structured illumination microscopy," *Opt. Lett.* **37**(22), 4603–4605 (2012).
29. R. Forster, H. W. Lu-Walther, A. Jost, M. Kielhorn, K. Wicker, and R. Heintzmann, "Simple structured illumination microscope setup with high acquisition speed by using a spatial light modulator," *Opt. Express* **22**(17), 20663–20677 (2014).
30. A. Edelstein, N. Amodaj, K. Hoover, R. Vale, and N. Stuurman, "Computer control of microscopes using *u*manager," *Curr. Protoc. Mol. Biol.* **92**, 1–17 (2010).