

Figures:

Figure 1: MHD control principle

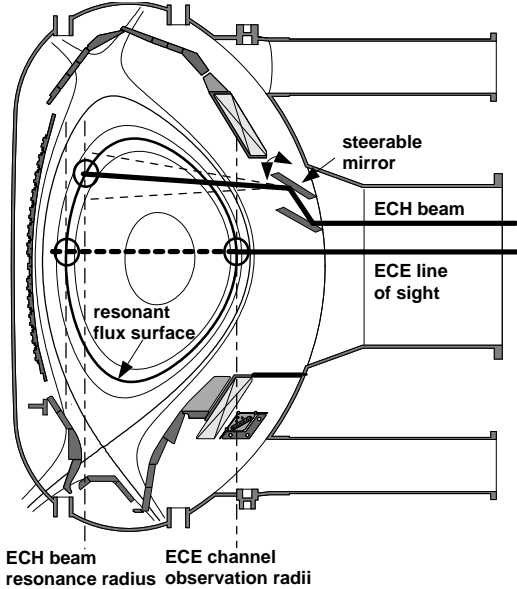


Figure 2: Information flow for MHD control

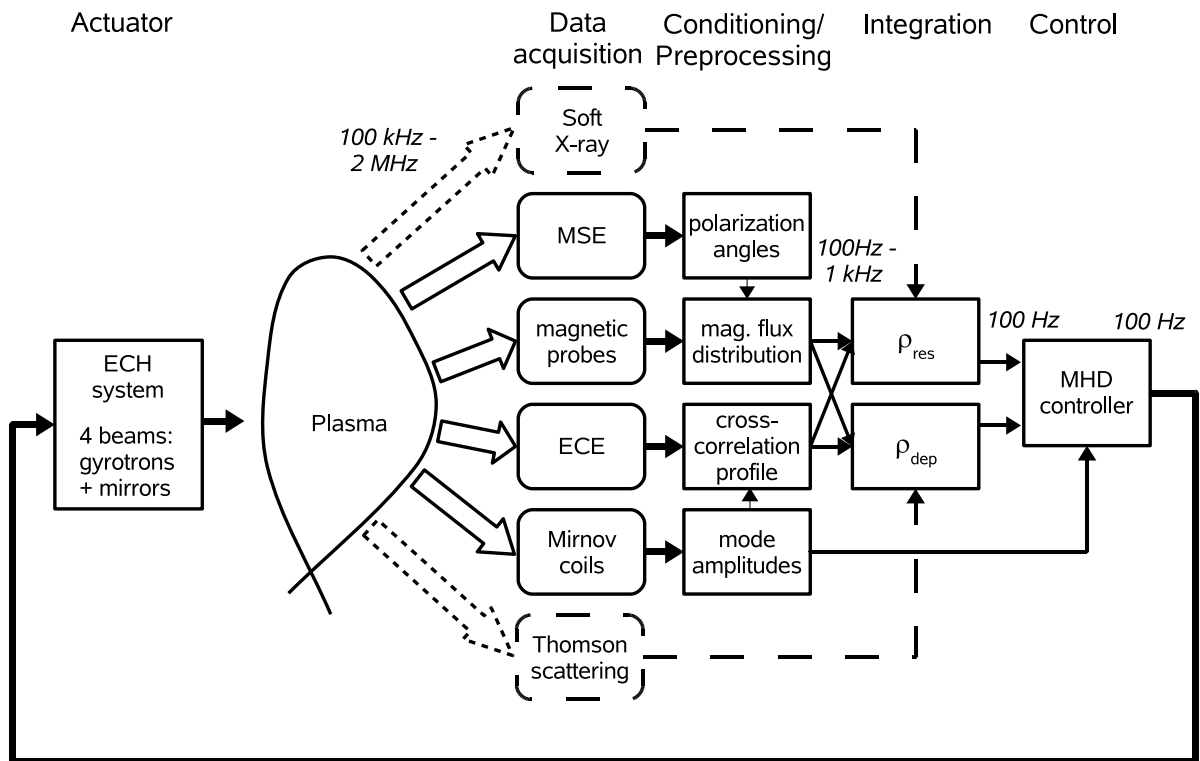


Figure 3: Integration of real-time diagnostics in the control loop

